



P Clip

For Signaline Linear Heat Detectors



Compatible with Signaline HD & FT
Rapid installation
Resistant to oils and greases
Stainless steel and nylon construction

Fire
detection



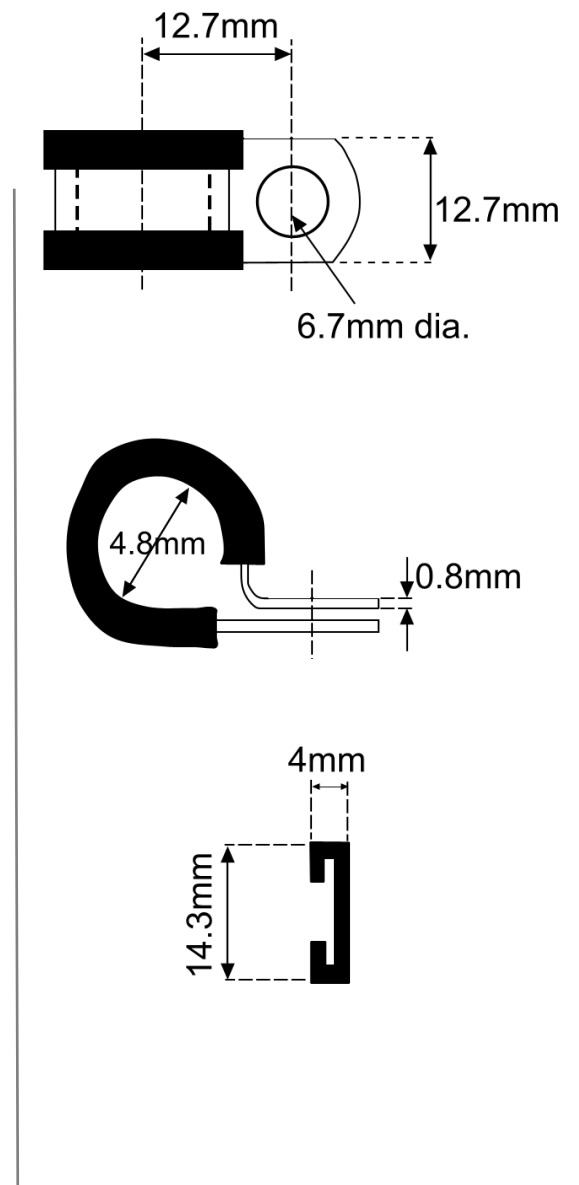
Signaline





Model	Signaline P Clip
Dimensions	12.7mm x 12.7mm x 16mm
Pack size	100 clips per pack.
Pack weight	approx. 0.6kg
Mounting	Wall or ceiling
Material	Clip: Stainless steel Insulator: UV & ozone proof nylon
Colour	Black and metallic

Fixing screw not included.



Visit Signaline.com for our full range of heat detection solutions