



numberok
License Plate Recognizer

SOLUTION
FOR TRAFFIC
MANAGEMENT

www.number-ok.com

NUMBEROK LPR SOFTWARE

numberok
License Plate Recognizer



WINDOWS SOFTWARE



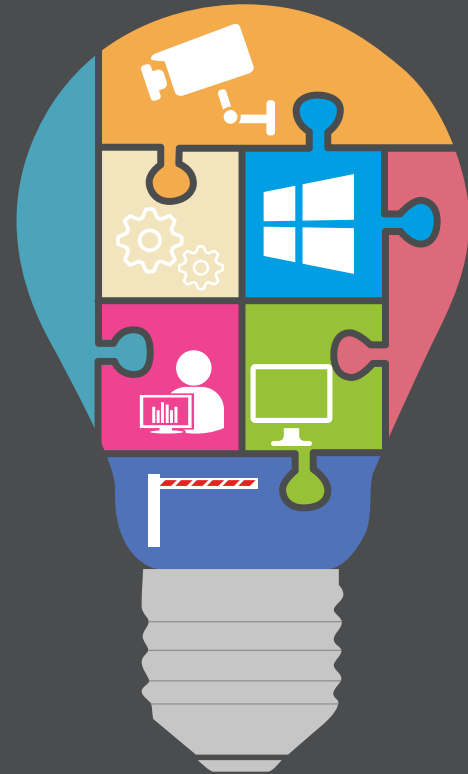
LICENSE PLATE RECOGNITION



TIME DURATION AND VEHICLE COUNTING



VEHICLE ACCESS CONTROL



USER-FRIENDLY

Easy to install, simple to use

AFFORDABLE PRICE

The price of one set from 300 EUR

EFFICIENT

Compatible with most sources supporting RTSP: analogue DVRs, capture boards and IP cameras of different brands. OS Windows. Remote network connection



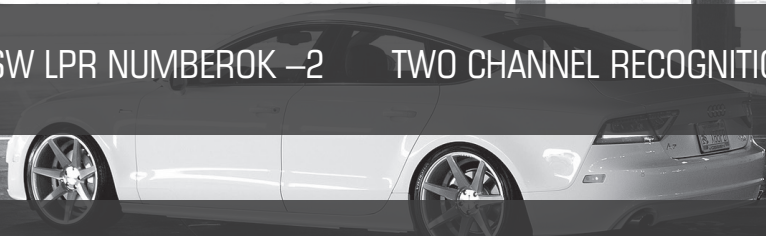
SW LPR NUMBEROK – 1 ONE CHANNEL RECOGNITION



SW LPR NUMBEROK – 2 TWO CHANNEL RECOGNITION



SW LPR NUMBEROK – 4 FOUR CHANNEL RECOGNITION



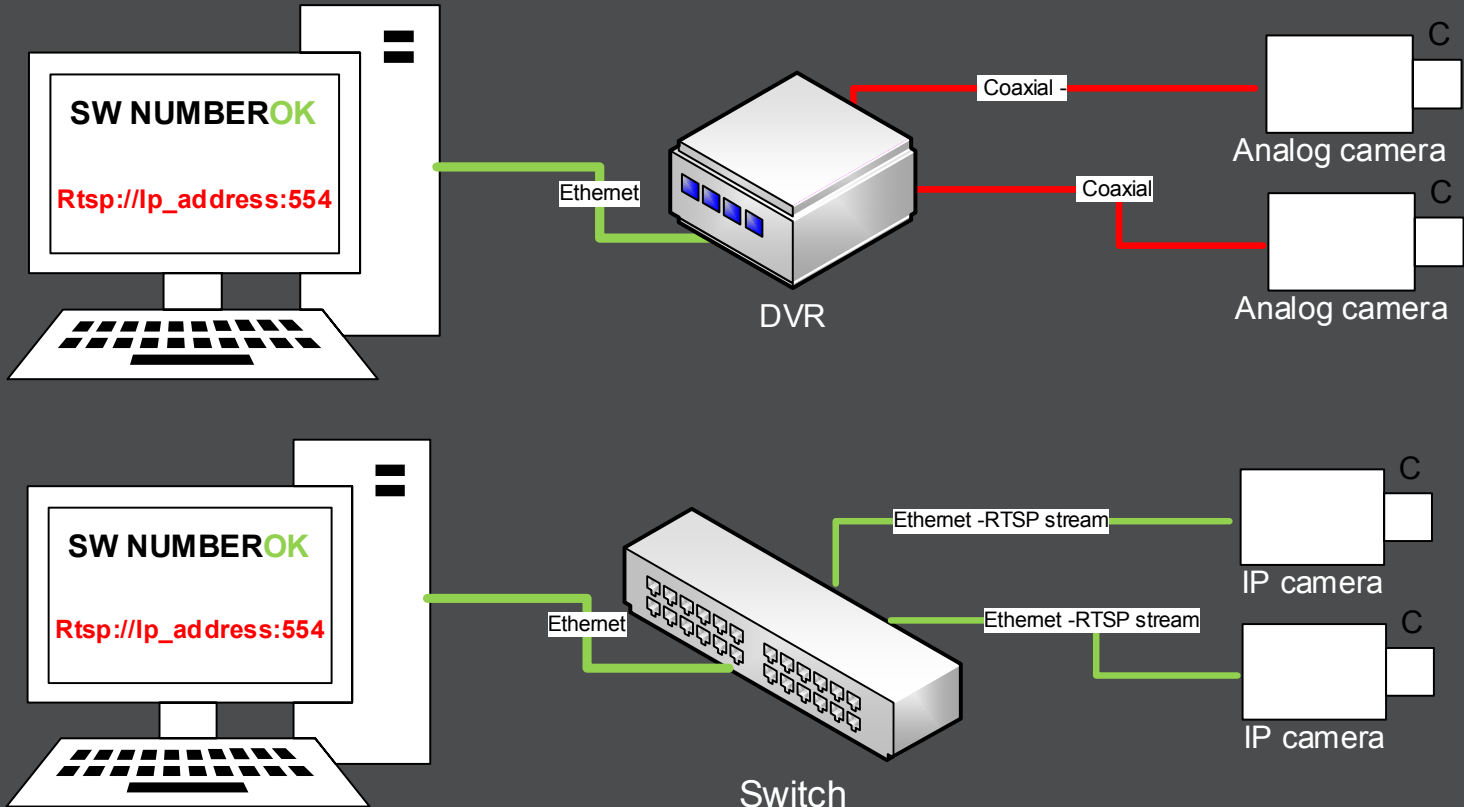
LIST OF SUPPORTED COUNTRIES

| | | | | | | | | | | | |
|-----|--|-----|--|-----|--|-----|--|-----|---|-----|---|
| AL |  | AUS |  | AZE |  | BEL |  | BGR |  | BIH |  |
| BLR |  | CY |  | CZE |  | DEU |  | DNK |  | ESP |  |
| EST |  | FIN |  | FRA |  | GBR |  | GEO |  | GRC |  |
| HRV |  | HUN |  | IRL |  | ISR |  | ITA |  | KAZ |  |
| LTU |  | LUX |  | LV |  | MAL |  | MDA |  | MKD |  |
| NLD |  | NOR |  | POL |  | PRT |  | ROU |  | RUS |  |
| SLO |  | SRB |  | SVK |  | SWN |  | SWZ |  | TR |  |
| TT |  | UKR |  | UZ |  | VAT |  | | | | |

HARDWARE SYSTEM REQUIREMENTS

| | One channel | Two channels | Four channels |
|----------------------------|-----------------------------------|---------------|----------------|
| Processor | intel i3 4330 | intel i5 4440 | intel i7 4770K |
| Time recognition (full HD) | 20-70 ms | | |
| Operation systems | Windows XP/7/8/server 8 32/64 bit | | |
| Memory | 4 GB | 4 GB | 8 GB |
| Disk space | | | |
| Installation | < 100 MB | | |
| For screenshot | 1-3 GB | | |
| For date base | 100 MB | | |
| Video adapter | OpenGL 2.0 | | |

CONNECTION DIAGRAM



VIDEO REQUIREMENTS

CONNECTION



RTSP

CODECS



H264/MPEG

VIDEO STREAM



< 8MBIT/S

FRAME



<5 MP

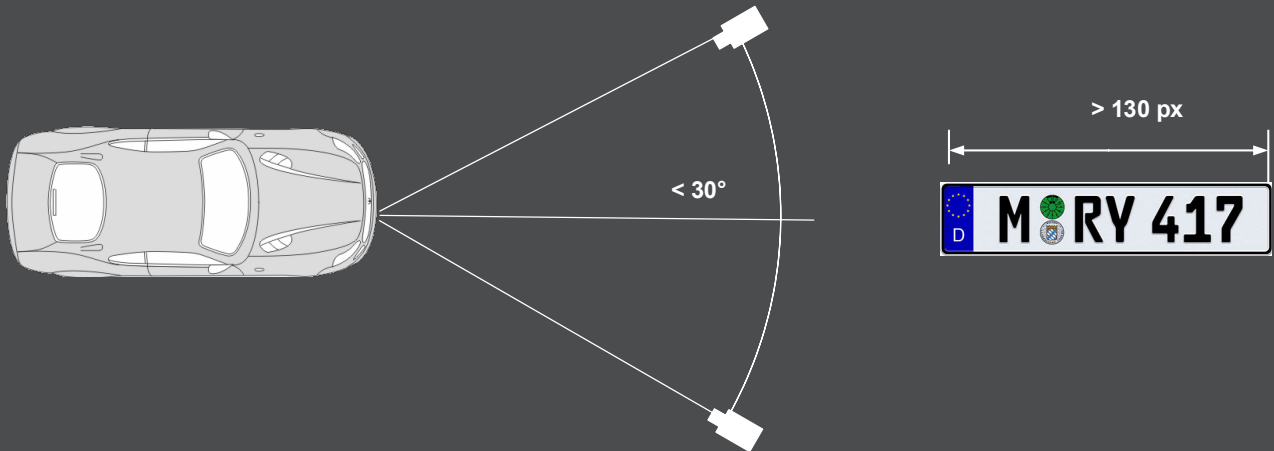
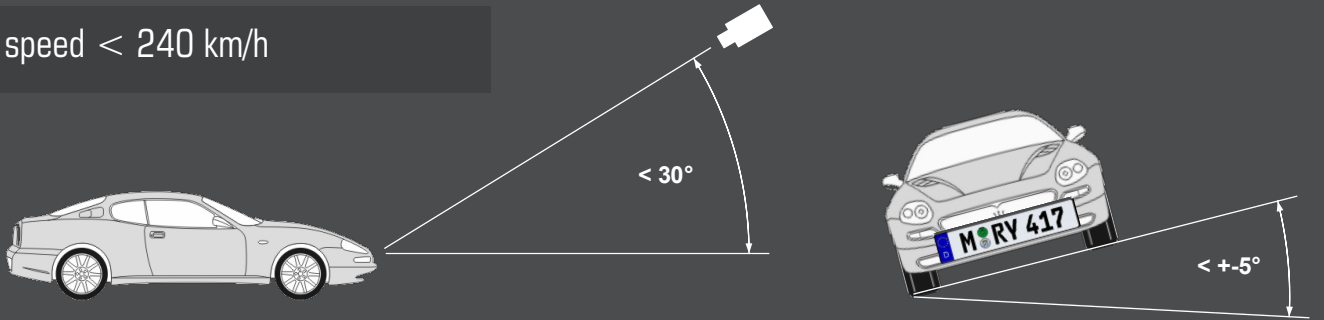
DVR



Hikvision, Dahua, TVT, Novus, NUUO

REQUIREMENTS FOR RECOGNITION

Vehicle speed < 240 km/h





Recognition and saving to DB: date and time, number plate, screenshot



Determination of vehicle directions (enter or exit)



Calculation of time duration at the territory



Opening /closing barriers or gates

CONTROL MODULE



ICP DAS



ETHERNET (POE)
6- RELAY INPUTS
6-ALARM OUTPUTS



BARBOS



USB
4- RELAY INPUTS
4-ALARM OUTPUTS



NUMBEROK TCP SERVER – SEND ALL EVENTS TO PORT



MULTI-USER ACCESS TO DB



NUMBEROK TCP SERVER – SEND ALL EVENTS TO PORT



MULTI-USER ACCESS TO DB



SQLITE (BASIC):

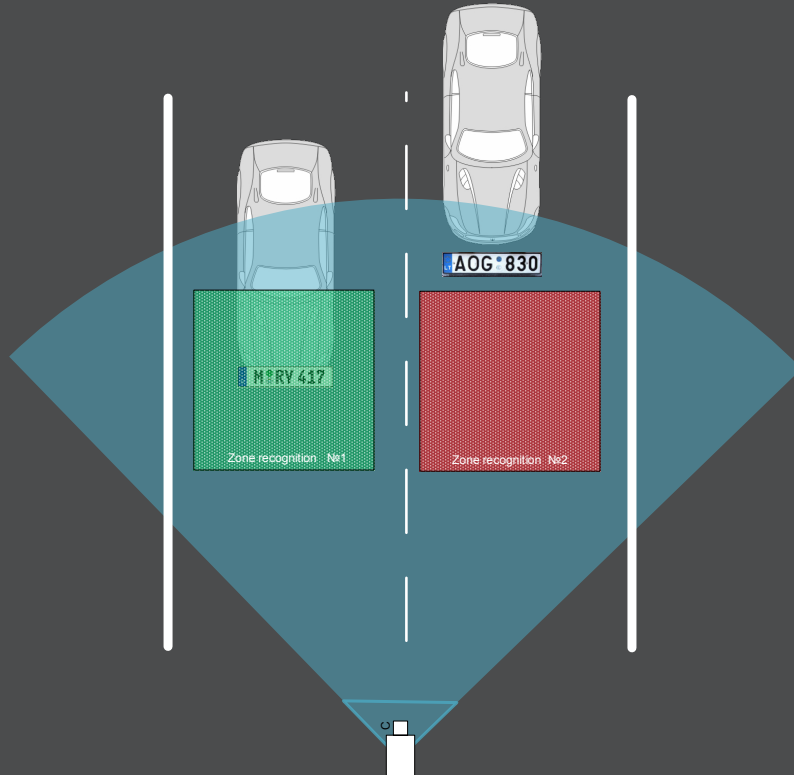
200 000 RECORDS
20 000 VEHICLE DATABASE



FIREBIRD (OPTIONAL)

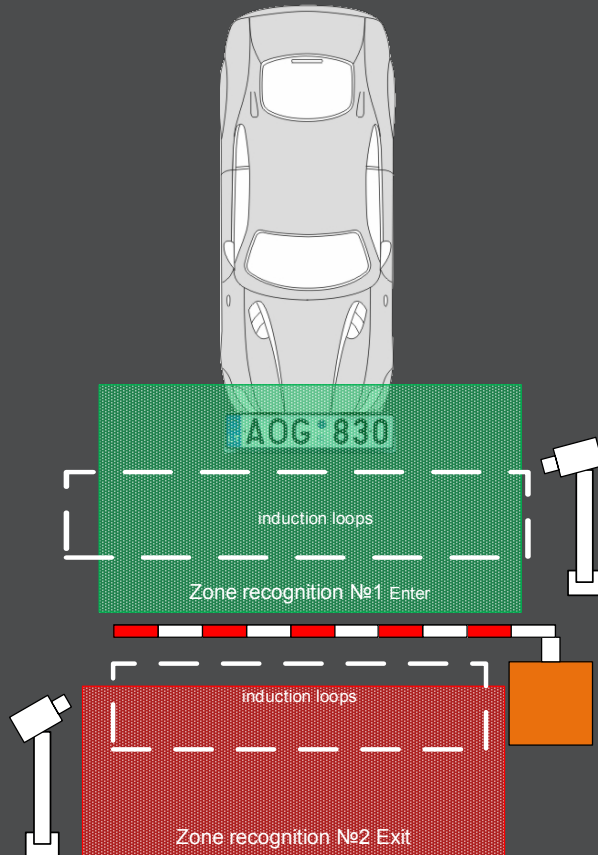
1 000 000 RECORDS
100 000 VEHICLE DATABASE

STANDARD BUSINESS LOGIC



Features:

RECOGNIZED NUMBER PLATE
REPORTS



Features:

VEHICLE ACCESS CONTROL BY
NUMBER PLATE
MANAGES EXECUTIVE
MECHANISMS
REPORTS



CAR WASH



TRAFFIC CONTROL



SAFE CITY

A street scene featuring a wide sidewalk on the left, a street with several streetlights on the right, and buildings in the background. The sky is overcast and grey. The streetlights have multiple glowing yellow spherical lamps. A sign is visible on the sidewalk near the building.

numberok

License Plate Recognizer

FF GROUP